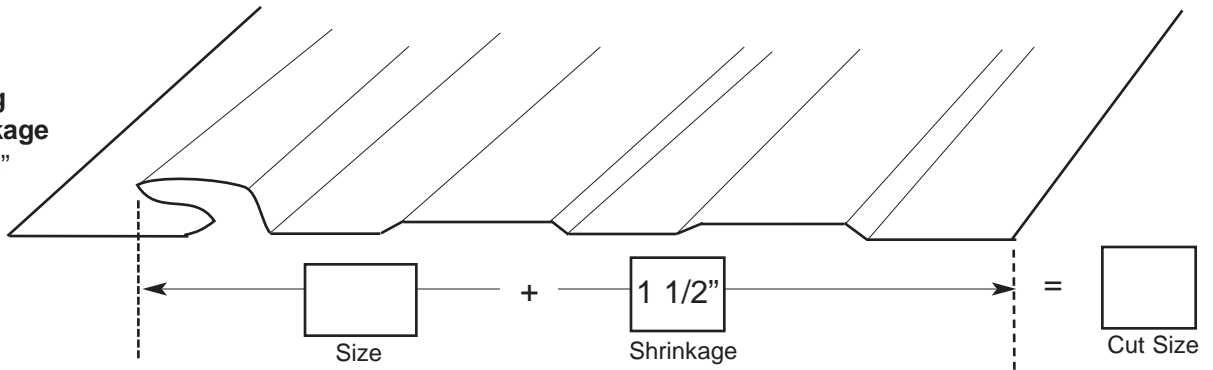




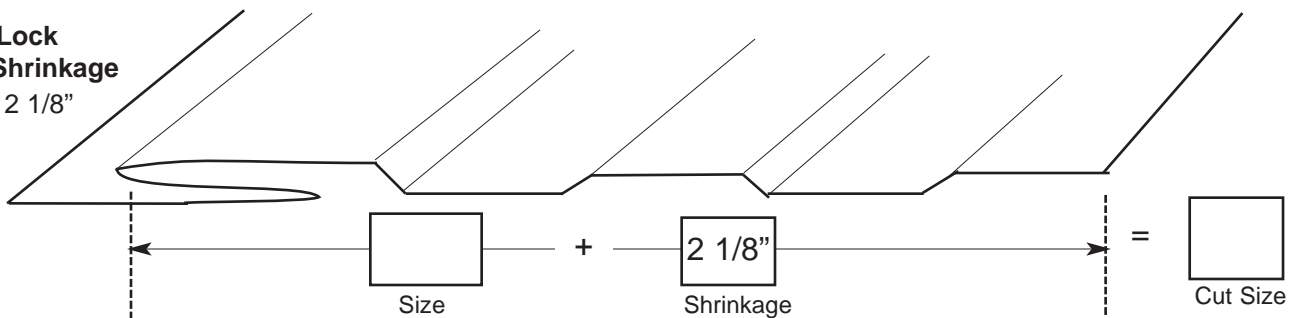
Determining Cut Size

When measuring metal with an edge, start from the roll of the edge and measure to the opposite side and add the **edge shrinkage** to determine the width. Your measurement should **ALWAYS** include enough metal to allow for edge shrinkage! Be sure to also allow for PATTERN shrinkage. Most common is an additional 1/4" per foot.

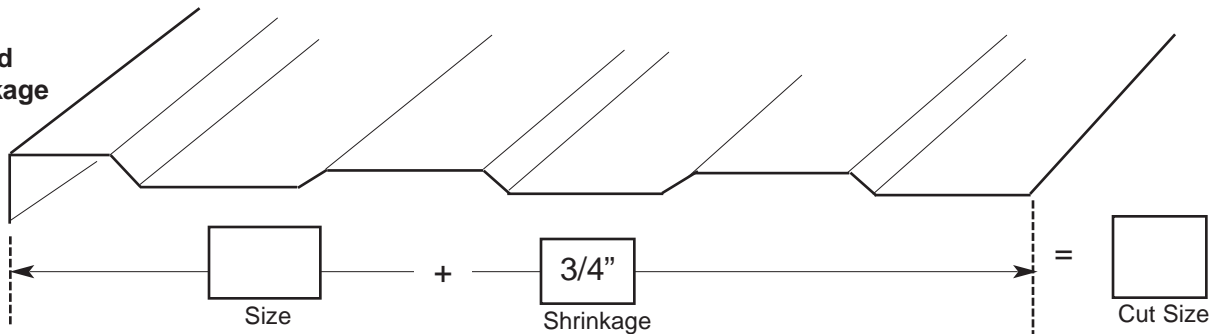
Pittsburg
Edge Shrinkage
Add 1 1/2"



S-Lock
Edge Shrinkage
Add 2 1/8"



Auto Mold
Edge Shrinkage
Add 3/4"



Acme
Edge Shrinkage
Add 1/2"

Seamed for Roofing

